

Job Name/Location:

Tag #:

Date:

For: File Resubmit

PO No.:

Approval Other

Architect:

GC:

Engr:

Mech:

Rep:

(Company)

(Project Manager)

LA090HYV1
Art Cool™ Premier Single Zone Inverter
 Outdoor Unit (ODU) - LAU090HYV1 Indoor Unit (IDU) - LAN090HYV1



Performance:

Cooling:

Capacity (Btu/h)	9,000
SEER	27.5
EER	15.65

SEER - Seasonal Energy Efficiency Ratio EER - Energy Efficiency Ratio

Heating:

Capacity (Btu/h)	11,000
HSPF	12.0

HSPF - Heating Seasonal Performance Factor

Cooling Nominal Test Conditions: Indoor: 80°F DB/67°F WB Outdoor: 95°F DB/75°F WB
 Heating Nominal Test Conditions: Indoor: 70°F DB/60°F WB Outdoor: 47°F DB/43°F WB

Electrical:

Power Supply (V ¹ /Hz/Ø)	208-230/60/1
-------------------------------------	--------------

Outdoor Unit:

MOP (A)	15
MCA (A)	11.2
Cooling Rated Amps (A)	8.70
Heating Rated Amps (A)	8.70
Compressor (A)	8.3
Fan Motor (A)	0.40

MOP - Maximum Overcurrent Protection MCA - Minimum Circuit Ampacity

Total Power Input:

Cooling Power Input (kW)	0.58
Heating Power Input (kW)	0.71

Piping:

Liquid Line (in, OD)	1/4
Vapor Line (in, OD)	3/8
Additional Refrigerant (oz/ft)	0.22
Min/Max Pipe Length (ft) ² :	6.6/65.6
Piping Length (no add'l refrigerant, ft)	41.0
Max Elevation (ft)	32.8

Controls Features:

- 24-Hour on/off timer
- Condensate sensor connection
- Self diagnosis
- 4-Way auto swing
- Defrost control
- Sleep mode
- Auto changeover
- Dehumidifying mode
- Soft dry operation
- Auto restart
- Hot start
- Ultra quiet operation
- Built-in low ambient operation to 14°F
- Jet cool/Jet heat
- Cooling only switch
- Chaos wind
- Self cleaning indoor coil
- 3M Micro Protection Filter
- Smart AC module

Optional Accessories (sold separately):

- LG Programmable Thermostat - PREMTB10U
- Dry Contact for third party thermostat - PDRYCB300

For a complete list of available accessories, contact your LG representative.
 For continual product development, LG reserves the right to change specifications without notice.
 © LG Electronics U.S.A., Inc., Englewood Cliffs, NJ. All rights reserved. "LG Life's Good" is a registered trademark of LG Corp. /www.lghvac.com

Operating Range:

Outdoor Unit:

Cooling (°F DB)	14-118
Heating (°F WB)	-13-65

Indoor Unit:

Cooling (°F WB)	53-75
Heating (°F DB)	60-86

Unit Data:

Refrigerant Type	R410A
Refrigerant Control	EEV
Refrigerant Charge (lbs)	2.54
ODU Sound Pressure (Max) ±3 dB(A) ³	45
IDU Sound Pressure (H/M/L/Sleep) ±3 dB(A) ³	42/36/25/17
ODU Net Unit Weight (lbs)	77
ODU Shipping Weight (lbs)	82
IDU Net Unit Weight (lbs)	24
IDU Shipping Weight (lbs)	30
Heat Exchanger Coating	GoldFin™

Fan:

ODU Type	Propeller
IDU Type	Cross Flow
Fan Speeds (Fan/Cooling/Heating)	6/6/6
Quantity (ODU + IDU)	1 + 1
Motor/Drive	Brushless Digitally Controlled/Direct
ODU Max Air Flow Rate (CFM)	1,165
IDU Air Flow H/M/L (CFM)	494/417/283
Dehumidification (pts/hr)	3.2

Notes:

1. Acceptable operating voltage: 187V - 253V.
2. Piping lengths are equivalent.
3. Sound Pressure levels are tested in an anechoic chamber under ISO Standard 1996.
4. All power/communication cable to be minimum 18 AWG, 4-conductor, stranded, shielded and must comply with applicable local and national code.
5. See Engineering Manual for sensible and latent capacities.
6. Power wiring cable size must comply with the applicable local and national code.
7. The indoor unit comes with a dry helium charge.
8. This data is rated 0 ft above sea level, with 24.6 ft of refrigerant line and a 0 ft level difference between outdoor and indoor units.
9. Must follow installation instructions in the applicable LG installation manual.



Job Name/Location:

Outdoor Unit (ODU) - LAU090HYV1

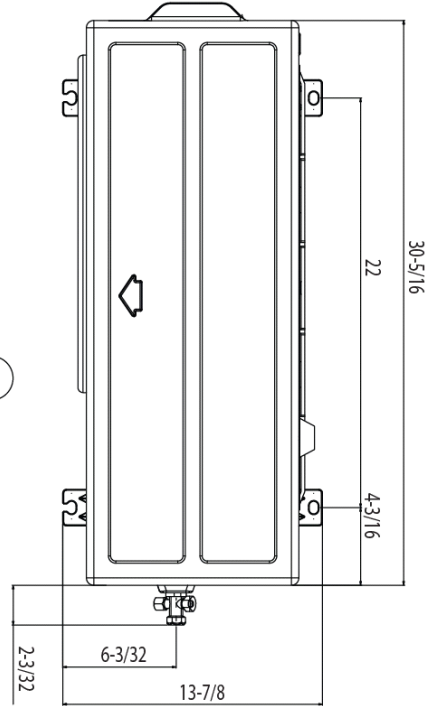
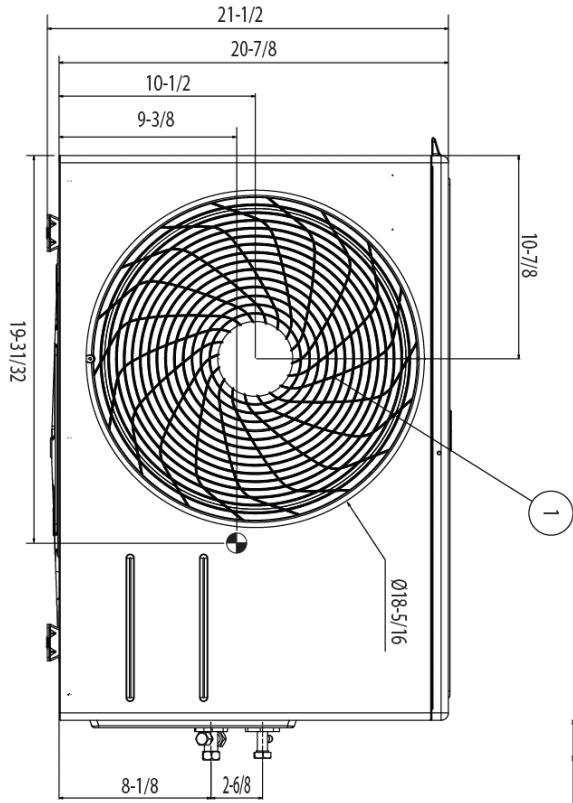
Art Cool™ Premier Single Zone Inverter



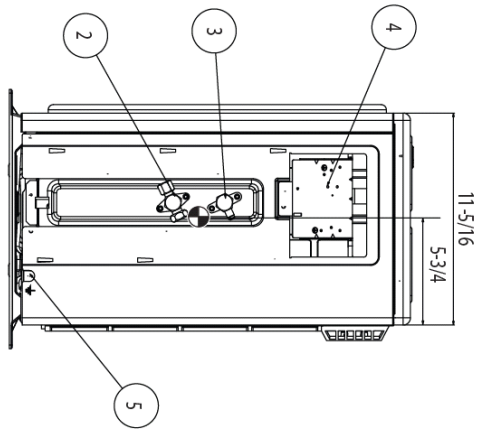
Tag #:

Date:

PO No.:



Center of gravity



[Unit : inch]

Item No.	Part Name	Remark
1	Discharge Air Grille	
2	Gas Pipe Connection Port	
3	Liquid Pipe Connection Port	
4	Control Box	
5	Earth Screw	

Indoor Unit (IDU) - LAN090HYV1

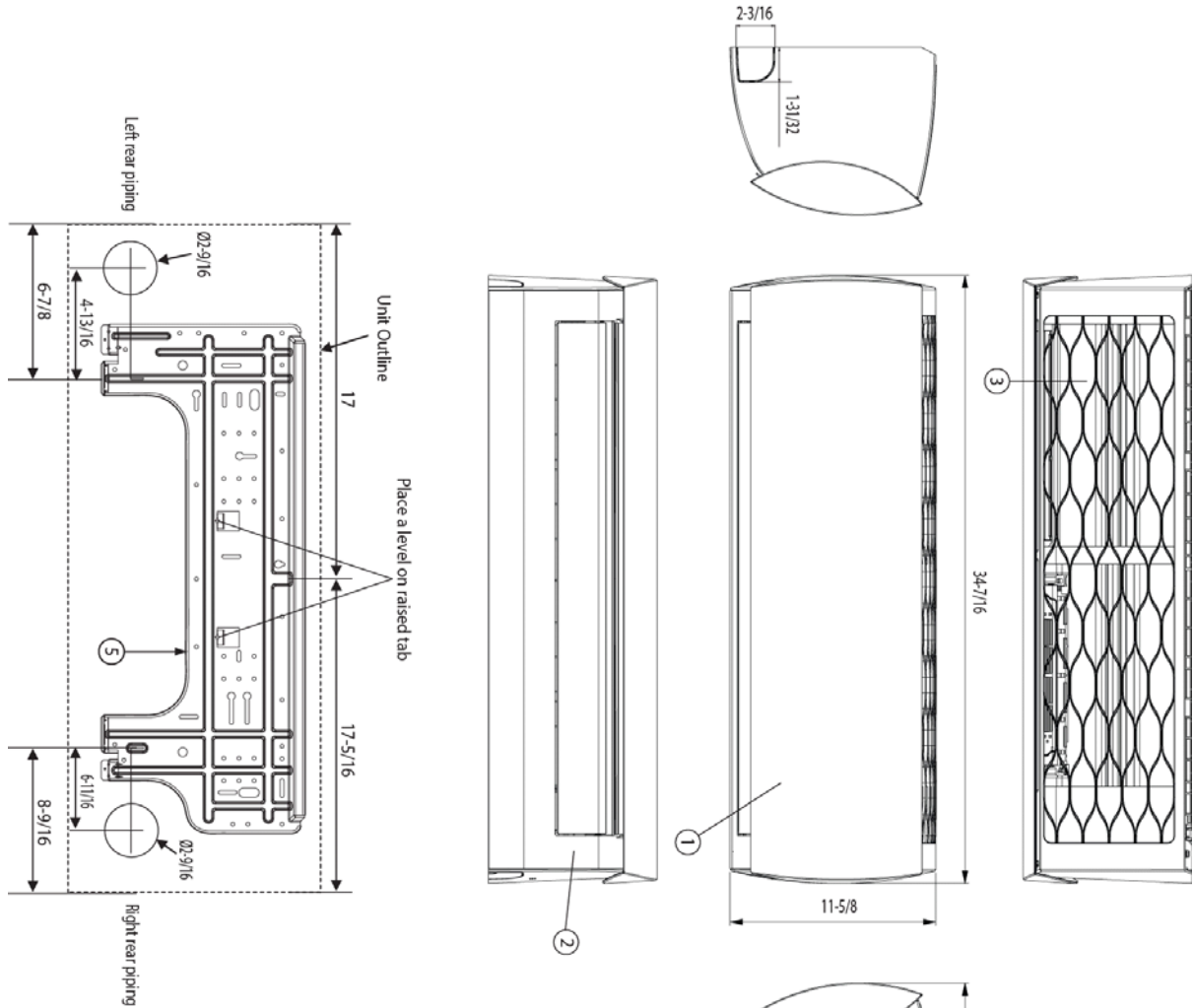
Art Cool™ Premier Single Zone Inverter



Tag #:

Date:

PO No.:



[Unit: inch]

Item No.	Part Name	Remark
1	Front Panel	
2	Display & Signal Receiver	
3	Return Air Grille	
4	Knockout hole	For pipe and cable
5	Installation Plate	